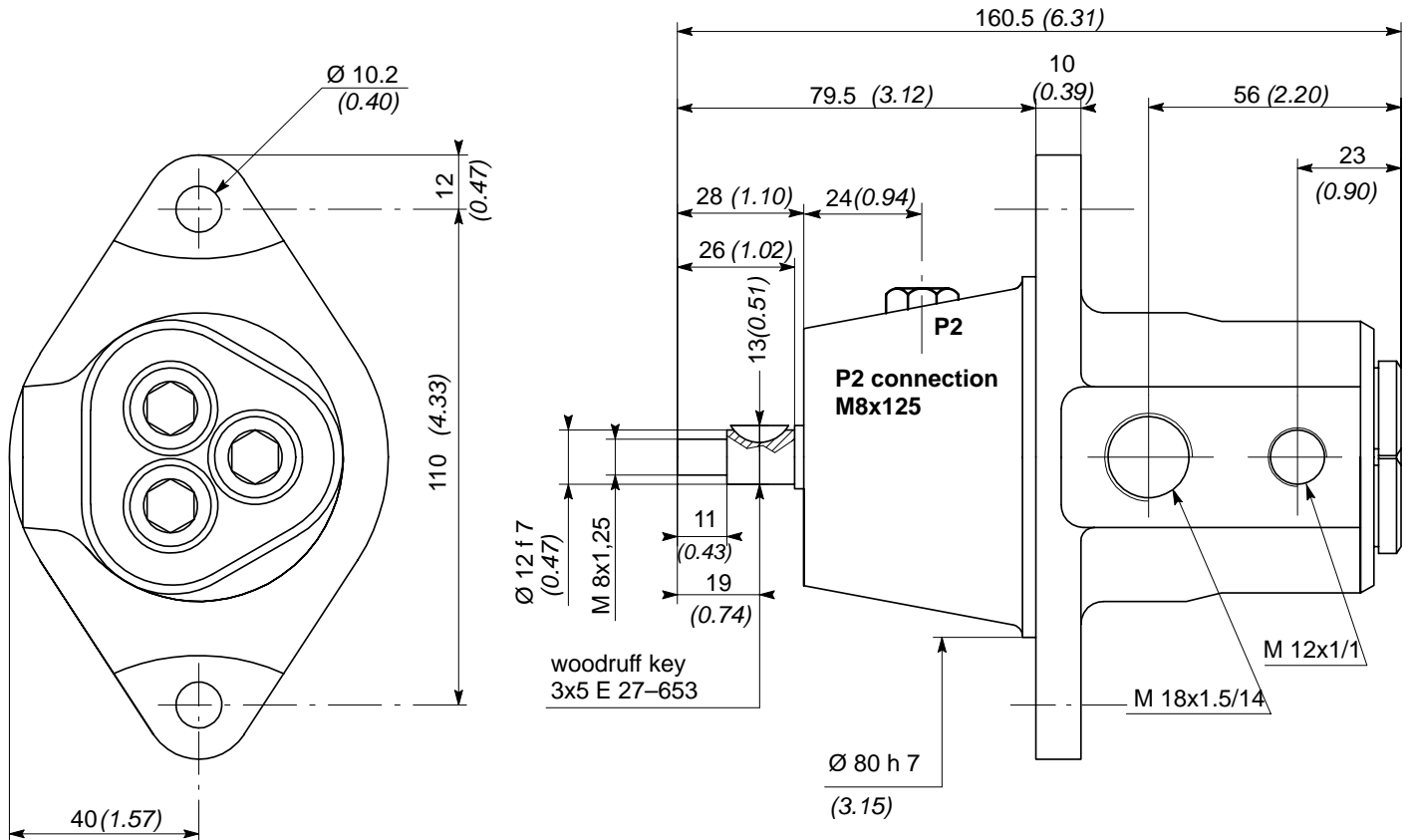


# INDUSTRIAL FIXED DISPLACEMENT PUMP

# PB 312

**1.56 cm<sup>3</sup>/rev (0.09 cu.in)**  
**250 bar (3620 PSI)**  
**3500 rpm**



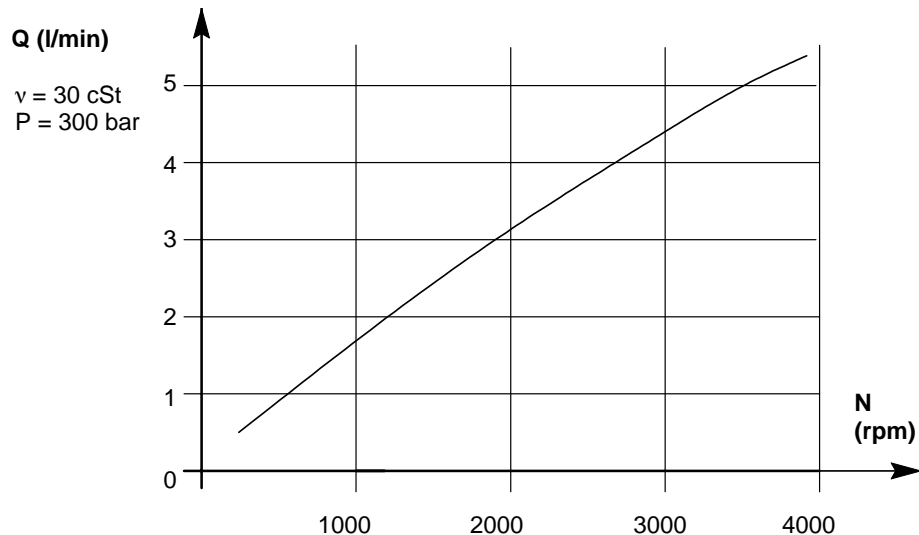
Dimensions are written in millimeters  
and (inches)

## TECHNICAL CHARACTERISTICS

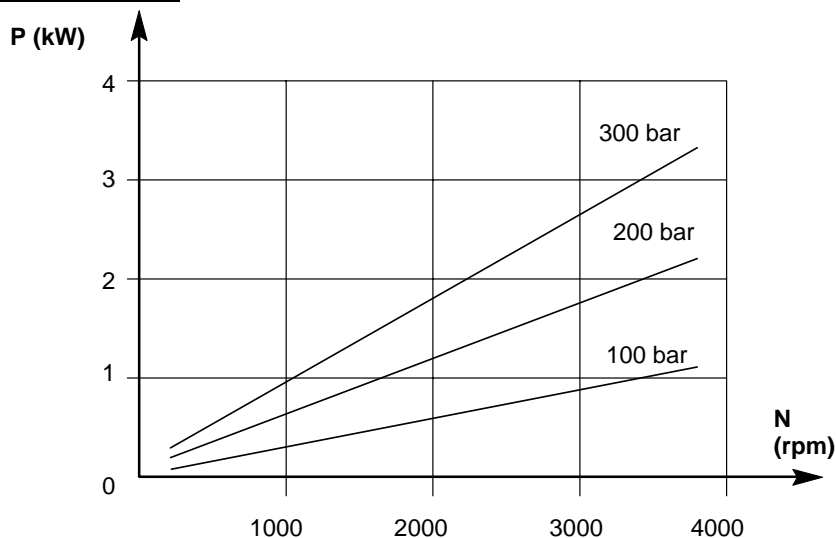
Displacement	:	1.56 cm <sup>3</sup> /rev (0.09 cu.in.)
Max. continuous pressure	:	250 bar (3620 PSI)
Max. peak pressure	:	300 bar (4350 PSI)
Self-priming speed	:	3500 rpm
Peak speed	:	3800 rpm
Max. temperature	:	100–120° C (212–248° F)
Inlet $\varnothing$	:	M 18x1.5
Outlet $\varnothing$	:	M 12x1
Weight	:	3 kg (6.6 lbs)

## PERFORMANCES

### FLOW CURVE



### POWER CURVE



### CONDITIONS OF USE

See also sheet headed "start-up".

**FLUID :** The viscosity of the fluid at the extreme temperatures must be between 15 cSt (2.3°E) and 400 cSt (52°E). Optimum flow between 15 cSt (2.3°E) and 200 cSt (26°E).

If fluid viscosity is less than 15 cSt at extreme operating temperature please consult our Technical Department.

The standard version is equipped with AA (self-priming) valves and the P2 air bleed plug (necessary for vertical submerged position).

### CODING :

Clockwise rotation, SH : PB 312 050400